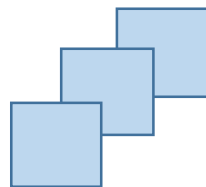


## FIFOTRACK VEHICLE GPS TRACKER




Model: A100

Version: V1.1

[www.fifotrack.com](http://www.fifotrack.com)

## Copyright and Disclaimer

- ⊙ All copyrights belong to Shenzhen fifotrack Solution Co., Ltd. You are not allowed to revise, copy or spread this file in any form without consent of fifotrack.
- ⊙  is trademark of fifotrack, protected by law.
- ⊙ Please read this user guide carefully before installation to avoid any possible personal injury or property loss.

## Revision History

Version	Author	Revision Date	Description of change
V1.1	Cici Wu	August 17, 2015	Initial revision

## Related Files

Version	File	Remarks
V1.2	<fifotrack A100 GPRS Protocol and Command List>	GPRS protocol between terminal and server, command details of GPRS/SMS/COM
V1.1	<fifotrack Parameter Tool User Guide>	PC software tool for parameters configuration
V1.1	<USB Cable Driver Installation Guide>	How to install USB cable driver
V1.1	<Firmware Upgrade Guide>	How to upgrade firmware
Download link: <a href="http://www.fifotrack.com/Support/Userguide/">http://www.fifotrack.com/Support/Userguide/</a>		

## Related Software

Version	Software	Remarks
V1.0	< Parameter Tool >	Parameter configuration tool on PC
V1.11.0	< PL2303_Prolific_DriverInstaller >	Driver for USB cable
V1.0	< Firmware Upgrade Suite>	Tool for firmware upgrade
Download link: <a href="http://www.fifotrack.com/Support/Userguide/">http://www.fifotrack.com/Support/Userguide/</a>		

## Contents

<b>1 Product Overview</b> .....	4
<b>2 Product Functions</b> .....	4
2.1 Tracking Functions .....	4
2.2 Alarms .....	4
2.3 Other Functions .....	5
<b>3 Product and Accessories</b> .....	5
3.1 Standard Packing Box .....	5
3.2 Optional Accessories .....	5
<b>4 Product Appearance</b> .....	6
<b>5 PCB Overview and Hardware Design</b> .....	7
5.1 Hardware Design Highlight .....	7
<b>6 LED Light</b> .....	8
<b>7 Specification</b> .....	8
<b>8 First Use</b> .....	9
8.1 Charging .....	9
8.2 Installing the SIM Card .....	9
8.3 Installing GSM/GPS Antenna .....	10
8.4 Tracking by Calling .....	10
8.5 SMS Reply Contents Example .....	11
8.6 Tracking by SMS Command - C01 .....	12
8.7 Configuration by PC .....	13
8.8 Platform Tracking .....	13
<b>9 Device Installation</b> .....	14
9.1 I/O Installation .....	14
9.2 Power/Ground Cable .....	15
9.3 Positive/Negative Digital Input ( IN1/IN2/IN3 ) .....	15
9.4 Analog Input( AD) .....	15
9.5 Output control (out1/out2) .....	16
9.6 Installing Microphone or Speaker (Optional) .....	16

# 1 Product Overview

A100 is a multifunctional model which is suitable for fleet management, public transportation management, school bus management, taxi operation management, vehicle insurance company management, rent car management and private car antitheft, etc. It can integrate with different sensors and collect the specific data as per customers' requirements. Besides, A100 has core functions to meet users' demands, such as harsh acceleration/braking alarm, driving behavior analysis, custom digital input, jamming detection, two-way calling and OTA. A100 uses own FIFOTRACK GPRS PROTOCOL which is simple and practical, this enables the customers to integrate on their own platform efficiently.

## 2 Product Functions

### 2.1 Tracking Functions

- GPS+GSM Base Station Dual Tracking
- Real Time Tracking
- Time Interval Tracking
- Distance Tracking
- Direction Change Tracking
- Mobile Phone Tracking

### 2.2 Alarms

- SOS Alarm
- GPS Antenna Cut Alarm
- External Power Cut Alarm
- Engine/Door Status Alarm
- Maintenance remind
- GEO-Fence Alarm
- Speeding Alarm
- Idling Alarm
- Fatigue Driving Alarm
- Harsh Acceleration Alarm
- Harsh Braking Alarm
- Parking Overtime Alarm

- GPS Jamming Alarm
- GSM Jamming Alarm
- Internal Battery Low Alarm
- External Battery Low Alarm

### 2.3 Other Functions

- Stop Car Remotely
- Fuel monitoring
- 8 MB Flash Memory
- Custom Digital Input
- Detect ACC Status to Inhibit Static Drift
- OTA
- Uploading Mode Settings for ACC ON/ACC OFF
- Roaming Time Interval Setting
- Mileage And Running Time Settings
- Voice monitoring (Optional)
- Two-way Calling (Optional)

## 3 Product and Accessories

### 3.1 Standard Packing Box



Main Unit



Wire



GPS Antenna



GSM Antenna

### 3.2 Optional Accessories



USB Cable



Relay



Microphone



Speaker

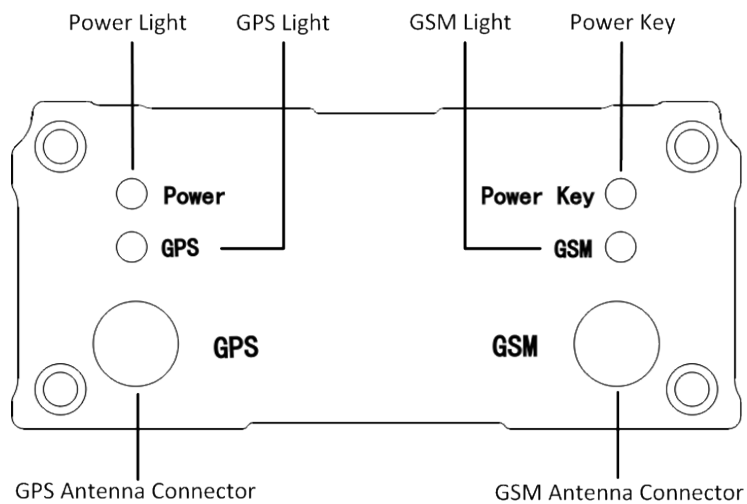
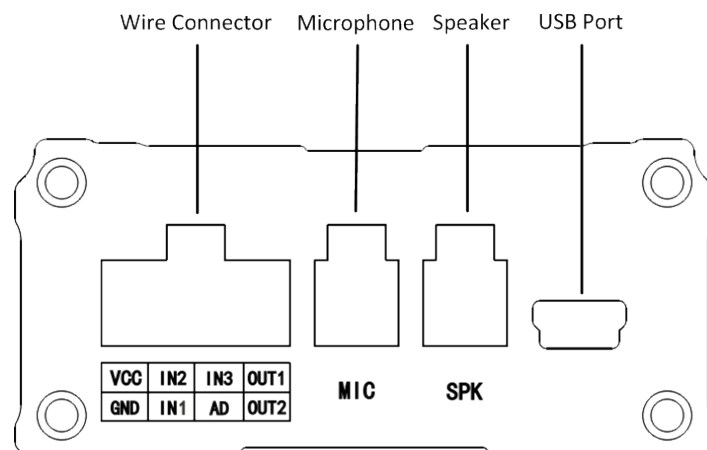


AS10 Fuel sensor

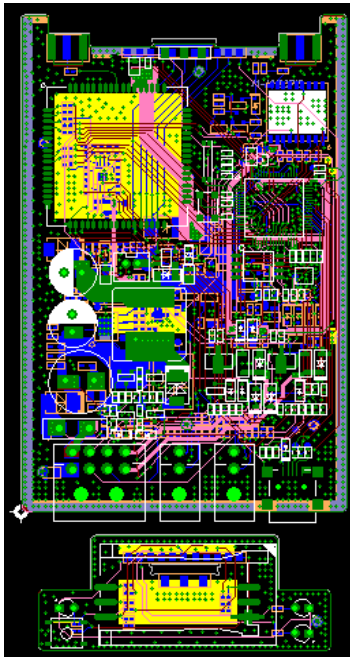


AS20 ultrasonic fuel sensor

## 4 Product Appearance



## 5 PCB Overview and Hardware Design



### 5.1 Hardware Design Highlight

**Protection for sudden-change of auto power supply:** When the vehicle starts or is running, the power voltage will have a wave of change. Our product supports voltage 11V-36V. When the external power supply is below 10.5V, with low voltage detection, it will be automatically cut. When external power supply is over 36V or has high voltage peak, the product will trigger high-voltage protection through clamping, anti-pulse, and high voltage detection. This ensures the product to operate normally under high voltage.

**Auto power transient pulse:** When the vehicle starts or is running, it will generate high-voltage transient pulse with a range of hundreds of volts. If the product's circuit is not well designed, it is very easy to get damaged, and can't be used. Through multistage transient pulse protection and anti high-voltage surge protection, the product's power circuit is well protected, and it can operate stably.

**Electromagnetic immunity:** When the vehicle starts, the clock, RF, display screen and USB are very easy to be interfered by electric spark, which causes the product to operate unstably. Through PCB layout and ground wire handling, the product can work stably under interfered environment.

**Anti static:** The vehicle product's working condition is complex. It is very easy to be influenced by static, which causes damage to the product's peripheral interfaces. Through ESD protection on

circuit and ground wire handling, the static in the range of 8KV-15KV won't cause damage to product. This ensures the product's stability under complex working condition.

## 6 LED Light

GPS Light (Green)	
Off	Power off or sleep
Flash 0.1s on and 3S off	GPS valid
Flash every 0.1s	GPS antenna cut
Flash 2s on and 2s off	No GPS signal
On	GPS module power problem
GSM Light (Orange)	
Off	Power off or sleep
Flash 0.1s on and 3s off	GSM available
Flash every 0.1s	Device is initialing
Flash 2s on and 2s off	No GSM
External Power Light (Red)	
Off	External power cut
Flash every 0.1s	External power low
On	External power normal

## 7 Specification

Item	Specification
Dimension	90*60*27mm
Weight	140g
GSM Module	SIMCOM800
GPS Module	U-blox7Q
Input Voltage	DC 11~36V/1.5A
Internal Battery	600mAh/3.7V
Power Consumption	30-35mA standby current
Internal Battery Life	100 hours in sleep mode, and 10 hours in normal working mode.
Operating Temperature	-20°C~70°C
Humidity	5%~95%
LED Light	3 LED lights indicating GPS/GSM/External power status
Button/ Switch	1 SOS Button, 1 power switch
Flash Memory	8MB (GPRS data 16000 units, SMS data 4000 units)



Sensor	3D Accelerator Sensor
GSM Frequency Band	GSM 850/900/1800/1900MHz
GPS Sensitivity	-161dBm
GPS Start Speed	Cold start 35s Hot start 1s
Position Accuracy	10m
I/O Port	3 Digital inputs - 1 negative input, 1 positive input, 1 custom input (Default positive input) 1 Analog input, voltage range is 0-30V 2 Output 1 Microphone port 1 Speaker port 1 USB port

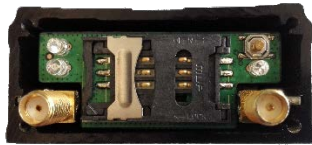
## 8 First Use

### 8.1 Charging

First time use A100, please connect positive wire(+ Red) and ground wire(-black) to 12V or 24V external power supply, charging device at least 2 hours, 3 hours is suggested. Before installation, ensure all of the parameters setting and test are finished.

### 8.2 Installing the SIM Card

- Device can't support 3G or 4G network. Make sure the SIM card supports 2G.
- Ensure the SIM card has enough balance.
- Ensure PIN code has been closed.
- Authorization SOS numbers can't work well if SIM card doesn't have caller ID service. E.g.: device can't reply SMS to authorization SOS number because SIM card can't identify incoming call.
- SIM card should have GPRS function for platform tracking.
- Turn off device before SIM card installation.



**Screw off and open the front cover**



**Insert SIM card into SIM card slot**

Make sure the chip is facing to PCB. Pay attention to the cutaway angle direction of SIM



**Close front cover and lock the screw**

### 8.3 Installing GSM/GPS Antenna

Connect GSM Antenna to SMA connector with “GSM” silk. The GSM antenna’s signal is omnidirectional, you can hide it anywhere that is far from the power supply.

Connect GPS Antenna to SMA connector with “GPS” silk. GPS antenna should face to the sky for stronger GPS signal reception, and the silvery silk side should be downward. Fix GPS antenna with double sided tapes for stable signal reception.

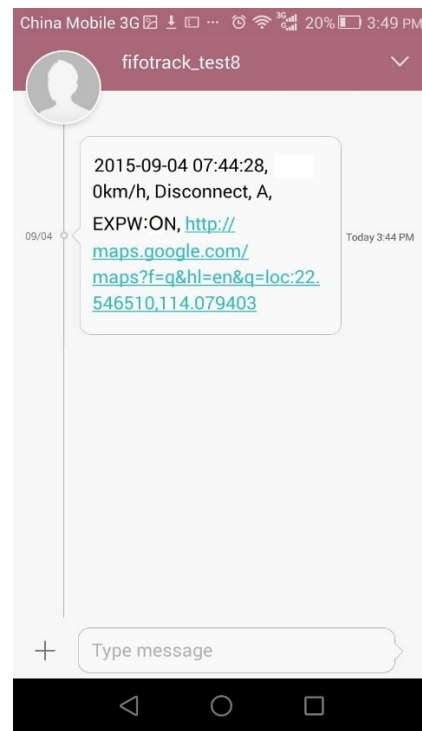
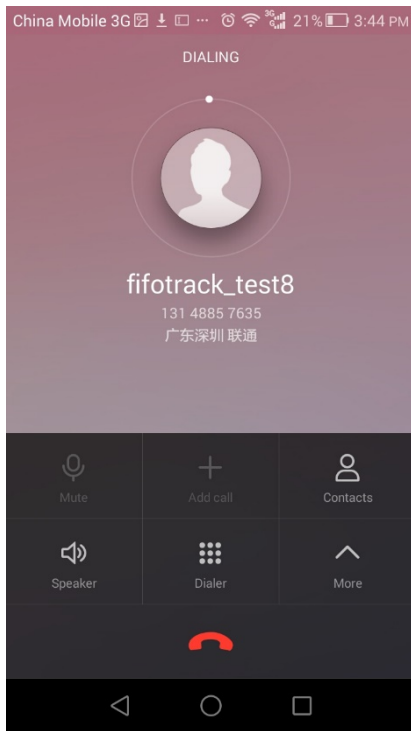
 Don’t install the GPS antenna where shielded by metal. For example, inside a metal can.



### 8.4 Tracking by Calling

Call the SIM card number inside A100, you will get a SMS reply with Google map link. Click it for

specific map location.



### 8.5 SMS Reply Content Example

2015-09-04 07:44:28, 0km/h, Disconnect, A, EXPW:ON,http://maps.google.com/maps?f=q&hl=en&q=loc:22.546510,114.079403

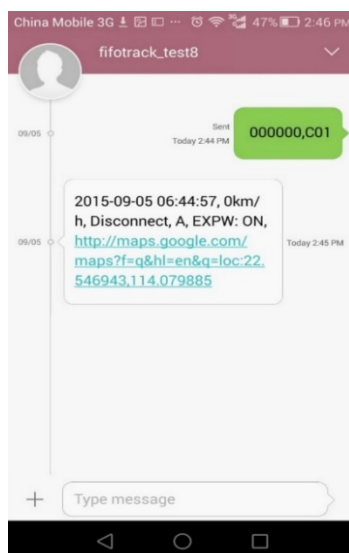
#### SMS Reply Format:

Field	Detail	Remarks
2015-09-04 07:44:28	Date and time, format YYMMDD hh:mm:ss	Date and time
0Km/h	Speed is 0km/h	Speed
Disconnect	GPRS disconnect	GPRS connection status, "disconnect" or "connect".
A	GPS fixed	GPS Status, "A" means GPS valid, "V" means GPS invalid.
EXPW:ON	External power on	External power status. "ON" means external power normal, "OFF" means external power cut.
http://maps.google.com/maps?f=q&hl=en&q=loc:22.546510,114.079403	Google map link, latitude in the front of longitude after "Loc". Unit degree Latitude=22.546510° Longitude=114.079403°	Google map link with latitude and longitude, which can be opened directly on smart phone.

## 8.6 Tracking by SMS Command - C01

SMS Command: 000000,C01

SMS Reply: Current location

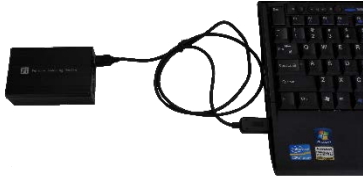


**Note:** Default SMS password is "000000", set new SMS password with B10 command.

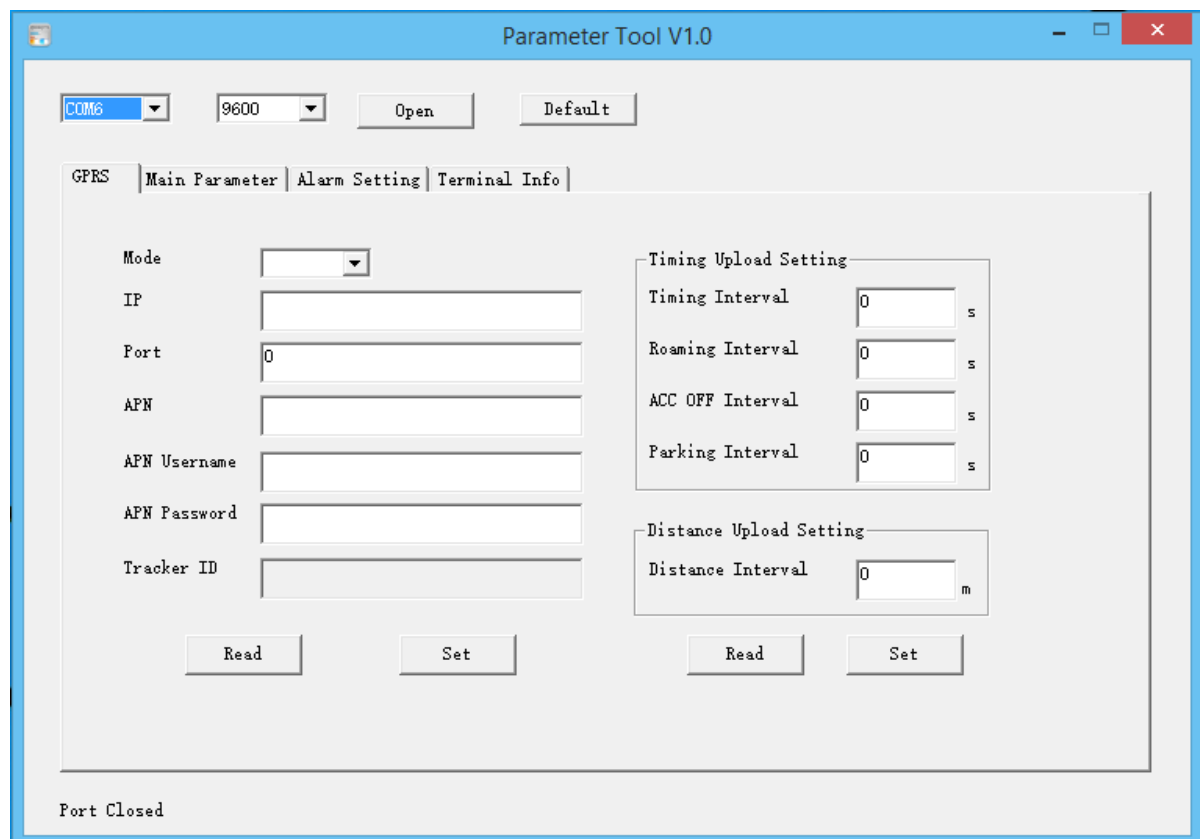
Please refer to <FIFOTRACK COMMAND LIST> for more details.

## 8.7 Configuration by PC

fifotrack company provide <FIFOTRACK PARAMETER TOOL> for configuration. Please download USB cable driver and install it before using parameter tool. Refer to <USB CABLE DRIVER INSTALLATION GUIDE> if need.



Connect A100 to PC with USB cable. Run “fifotrack Parameter Tool” software which will identify port automatically and read all of the current parameters.



Please read <FIFOTRACK PARAMETER TOOL USER GUIDE> for more details.

## 8.8 Platform Tracking

You can use SMS commands B00, B01, B02, B03 to set server IP, port, APN and GPRS uploading

interval.

You can also set those parameters via parameter tool software on PC.

## 9 Device Installation

### 9.1 I/O Installation

I/O wire has 8 pins, including power, digital positive and negative inputs, output and analog input.

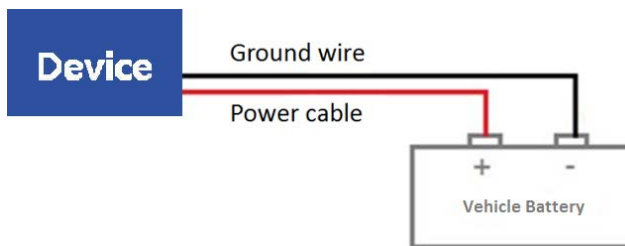


VCC	IN2	IN3	OUT1
GND	IN1	AD	OUT2

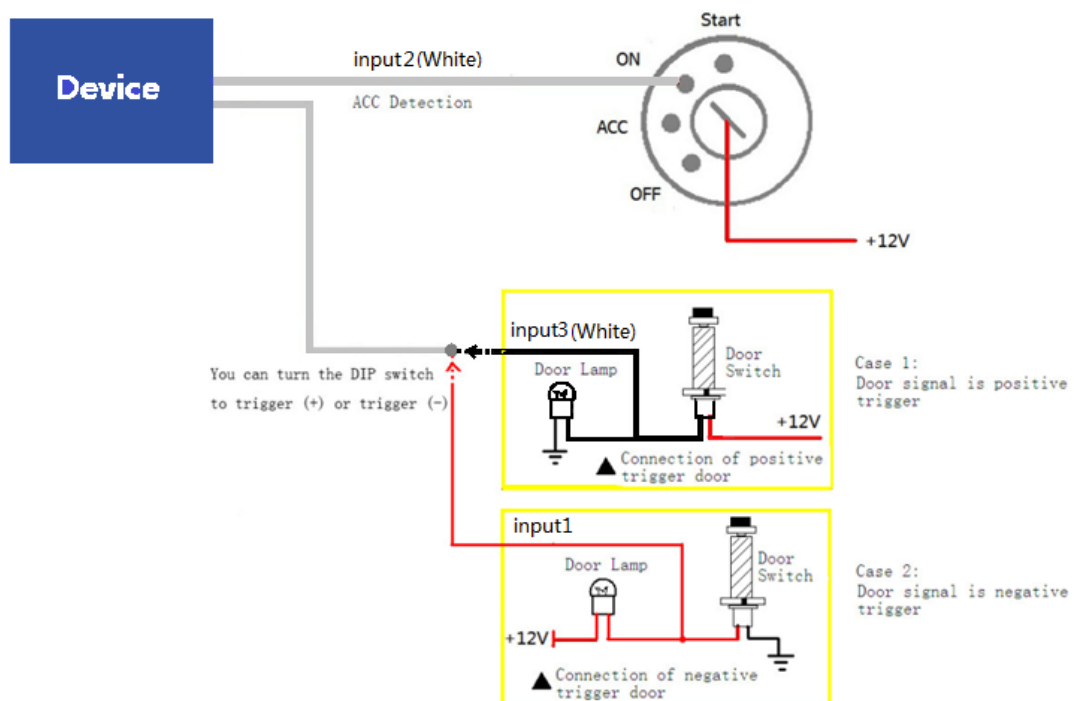
I/O	Color	Function
VCC	Red	Positive power, connect to positive of vehicle battery, input voltage range 11-36V
GND	Black	Ground, connect to negative of vehicle battery or the vehicle's iron part.
IN1	White	Digital input1, negative input (default SOS button)
IN2	White	Digital input2, positive input, default connect to ACC for status detection.
IN3	White	Digital input3, custom input, default positive.
AD	Blue	12 bits analog input, supports voltage range 0-30V. Connect to external sensor, eg, fuel sensor or temperature sensor.
OUT1	Yellow	Output1 Output active: low level (0V) Output inactive: open drain (OD) Max open-drain (inactive) voltage: 45V

		Max current for output low voltage (valid): 500mA
OUT2	Yellow	Output2 Output active: low level (0V) Output inactive: open drain (OD) Max open-drain (inactive) voltage: 45V Max current for output low voltage (valid): 500mA

### 9.2 Power/Ground Cable



### 9.3 Positive/Negative Digital Input (IN1/IN2/IN3)



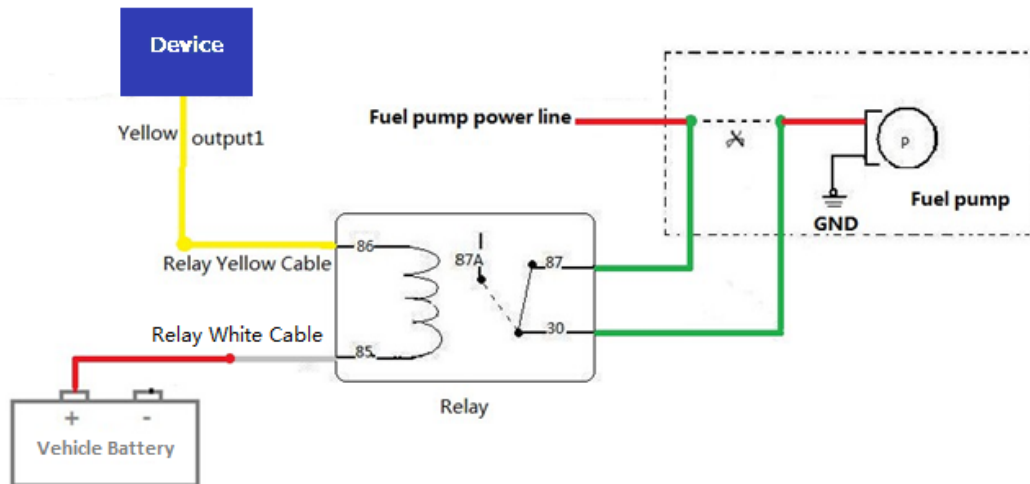
### 9.4 Analog Input( AD)

Calculation formula:

AD Voltage=(AD)\*3300\*11/4096

Note: Original AD value is in hexadecimal. Convert it to decimal first, then use the formula.

### 9.5 Output control (OUT1/OUT2)



### 9.6 Installing Microphone or Speaker (Optional)



Please e-mail us at [info@fifotrack.com](mailto:info@fifotrack.com) if any question or feedback.